

Microwavefilters® &

Microwave components for telecommunication systems

3.3 GHz Bandpass Filter



IL \leq 1.0 dB (BW=360 MHz)
Rejection > 20 dB up to 10 GHz
Available with SMA & SMP connectors

Microwavefilters & TVC srl

Via G. Cavalcanti, 10 - 20063 Cernusco s/N (MI) - ITALY
Tel. +39-02-92162703 Fax. +39-02-92162705

info@mw-tvc.com www.mw-tvc.com

MW&TVC presents a new bandpass filter with IL < 1dB in the passband and no spurious response up to 3 f₀, that is 10 GHz (rejection > 20 dB). Dimensions are small (just 70x46x22 mm, excluding connectors and tuning screws). This filter can have SMP male connectors or SMA female connectors.

Main Characteristics

3.3 GHz Bandpass Filter

Center Frequency f₀: 3.300 GHz

Passband: 3.120 ÷ 3.480 GHz

Return Loss ≥ 15 dB

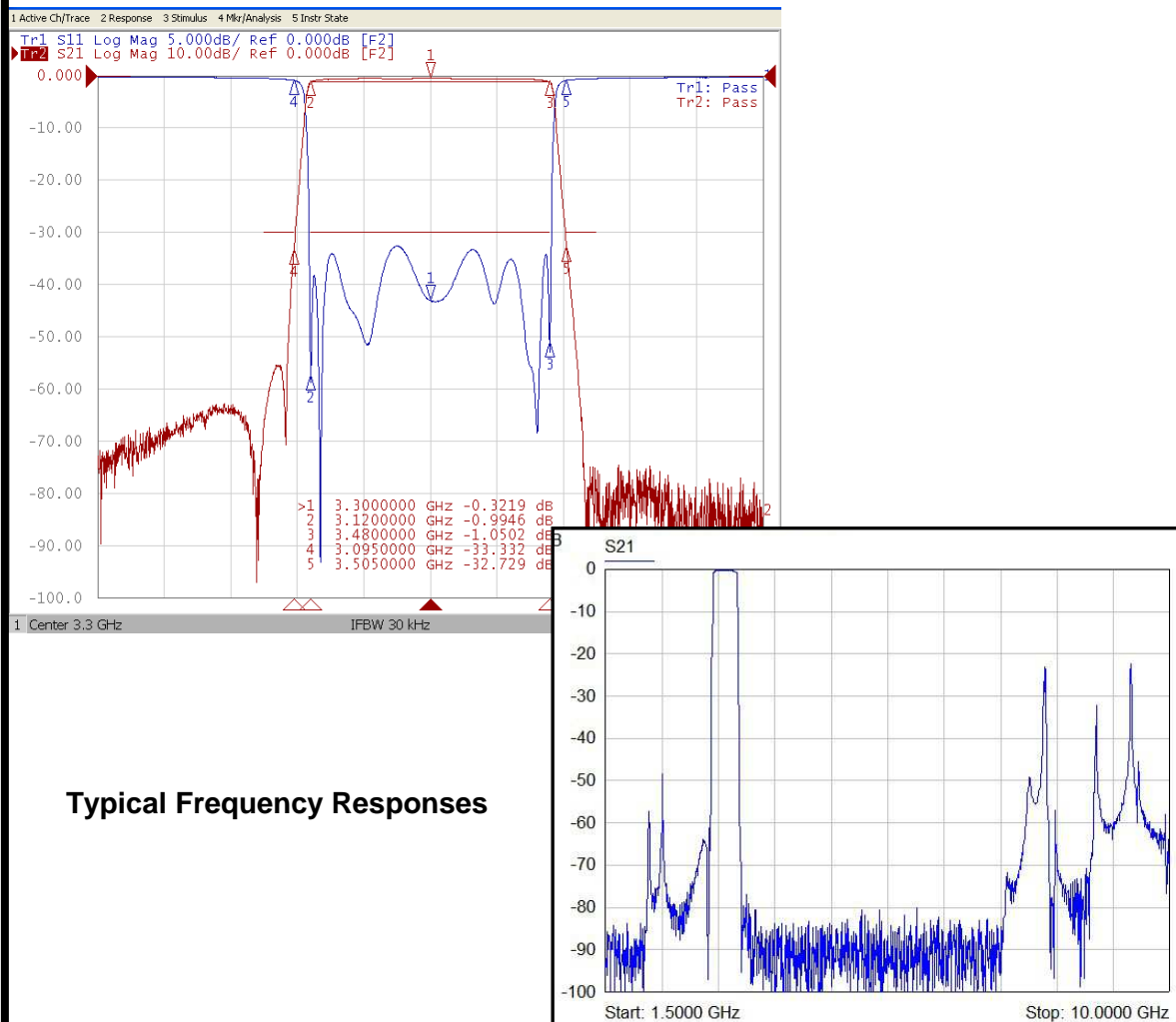
Insertion Loss ≤ 1.0 dB

Rejection at 3.095 GHz and at 3.550 GHz ≥ 30 dB

Rejection up to 3 f₀ (10 GHz) ≥ 30 dB

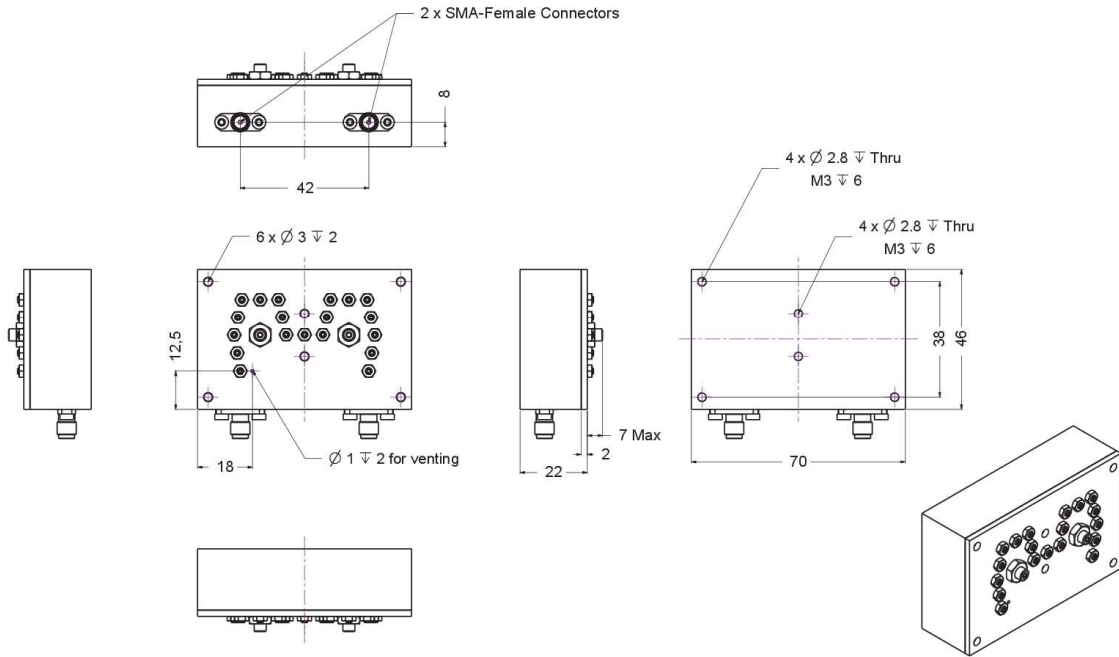
Input /Output Connectors: 2xSMA Female (P/N MW-F03300-CCT)
or 2xSMP Male (P/N MW-F03300-SST)

Internal Finishing: Silver-plating



Typical Frequency Responses

Mechanical Outline with SMA Female Connectors



Mechanical Outline with SMP Male Connectors

